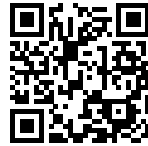


UNIKA 270 SOUS PLAN

Kitchen Sinks

Code: N252 S50

UNIKA R15 BOWL 270x400 SOUSPLAN



DETAILS

Edge/Installation Type	Undermount
Finish	Foster brushed
Material	AISI 304 stainless steel
Texture	Foster brushed
Base	40 cm
Dimensions	310x440 mm
Standard fittings	Fixing hooks, gasket, drain, overflow and siphon, boxed packing
Mixer holes	No standard holes
Built-in hole	View technical data sheet

Drainer No

Width 31 cm

Bowl dimension 270x400mm

Number of bowls 1 bowl

Waste fitting 3,5" drain

FEATURES

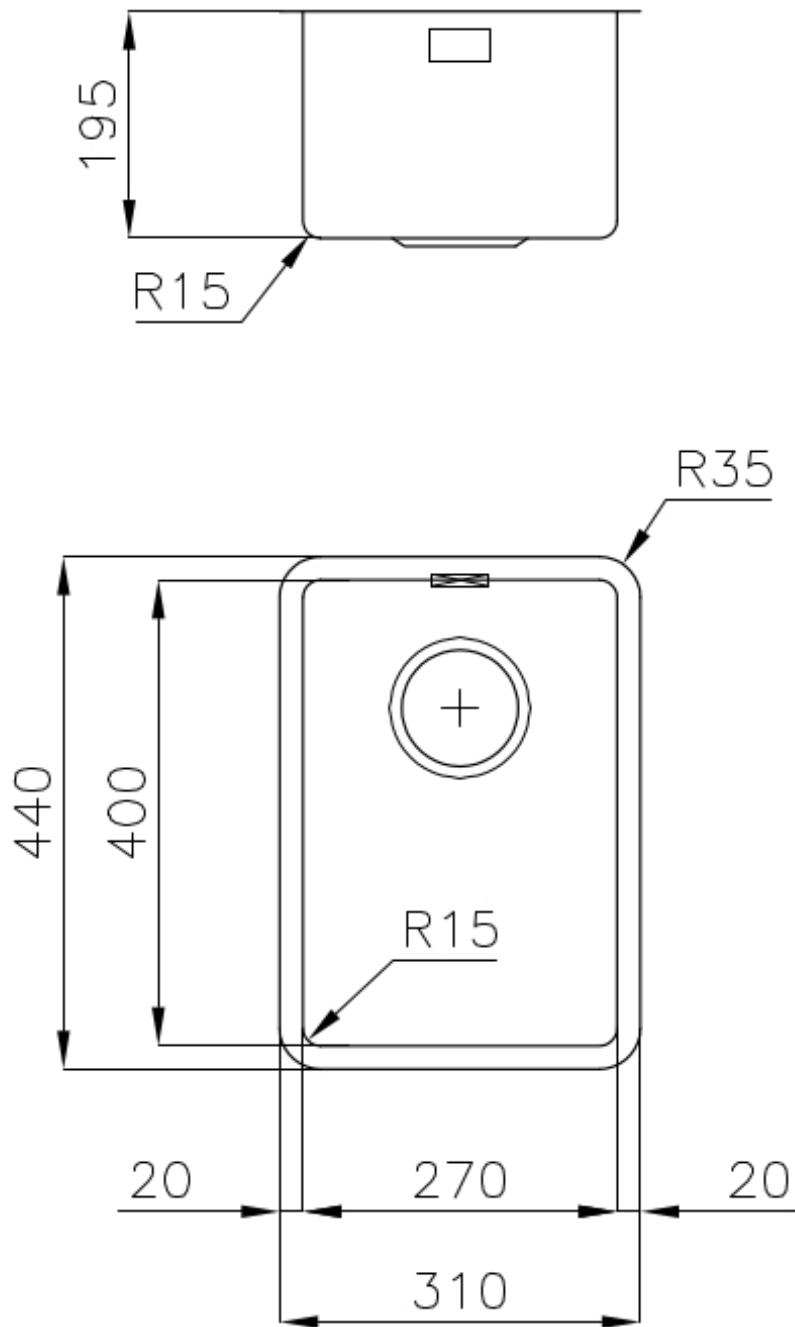
Basket 3,5" waste fitting The drain is equipped with a large 3.5" drain, with the practical basket cap that prevents the discharge of solid parts.

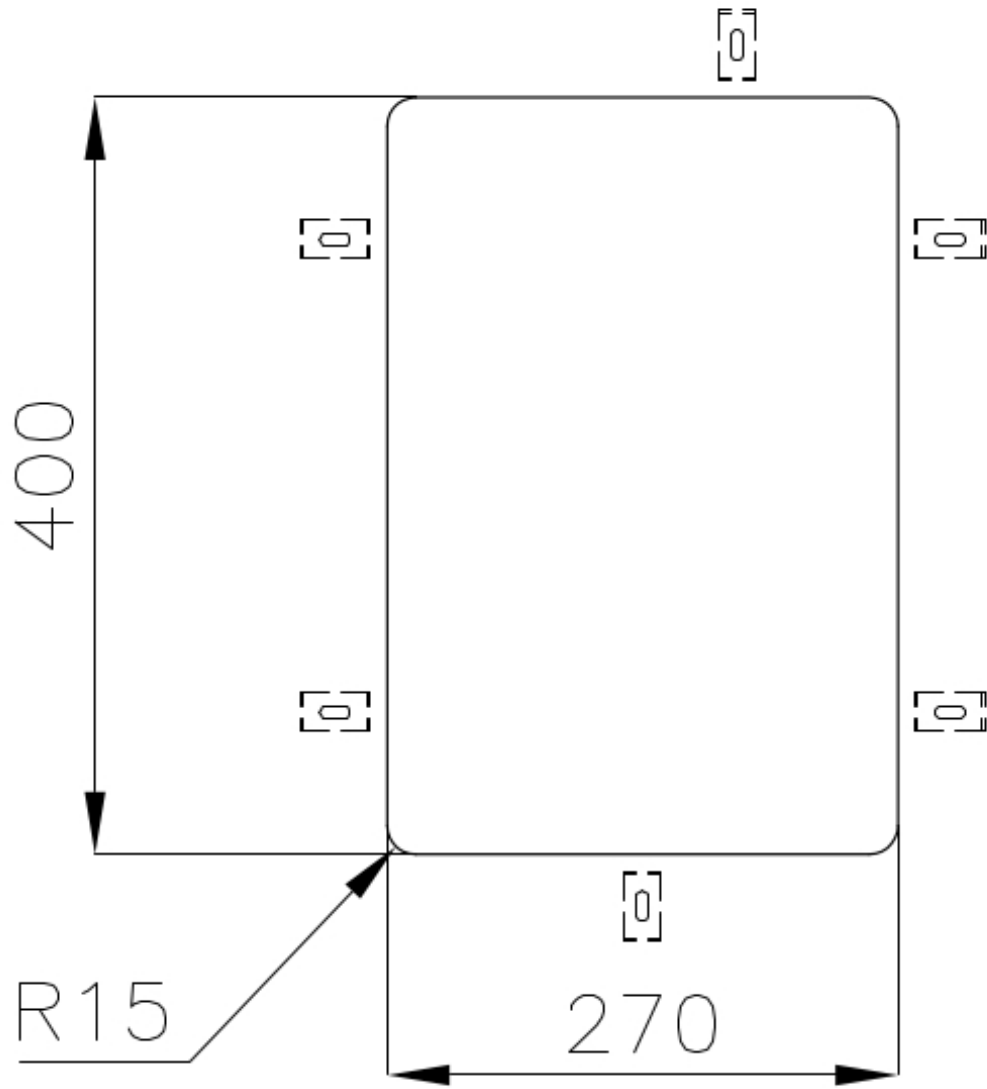
High thickness 1mm thick steel. A significant thickness, which guarantees the maximum sturdiness and durability.

Perimetral overflow The overflow is always a security on the Foster sinks that prevents the overflow of water in case of oversights. The perimeter drain solution improves aesthetics thanks to its square and essential shape.

Small radius Bowls with squared shapes with a modern design and an increased capacity, for a minimal aesthetics connected with an extreme practicality.

TECHNICAL DATA





Cut out size
Dimensioni per foratura top

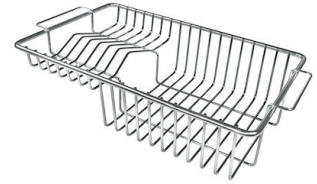
OPTIONAL ACCESSORIES



PLANCHE DE DECOUPE CRYSTAL
23x41 CM
A631 C00



PLANCHE DE DECOUPE HDPE
27x42 CM
A657 F01



GRILLE PORTE-ASSIETTES INOX
250x425
A100 B01

OPTIONAL AUTOMATIC WASTE FITTINGS



VIDAGE FADE LIGHT
A407 A17



VIDAGE FADE PUSH INOX
A407 A16